

Sinteso™/ Cerberus™ PRO

## Input module, input/output modules

FDCI222, FDCIO222, FDCIO224



### Input module and input/output modules for the automatically addressed detector line FDnet/C-NET

- Input module FDCI222:
  - Four monitored contact inputs for confirming technical statuses or activating an alarm
- Input/output module FDCIO222:
  - Four control outputs with potential-free relay contacts for activation of fire doors, fans, air conditioning systems, lift controls, etc.
  - Four monitored contact inputs for confirming technical statuses or activating an alarm
- Input/output module FDCIO224:
  - Four control outputs with potential-free relay contacts for the VdS interface in order to activate an extinguisher triggering device
  - Four monitorable contact inputs for confirmation (status messages)
- LED indicator for input/output statuses and for fault, test, localization
- Power supply and communication via FDnet/C-NET (addressed individually)
- Address automatically issued during commissioning
- Two-wire installation for all cable types

### Features

- Transparent housing, ensuring that indicators are easy to see
- Protected electronics
- Integrated line separator
- Chronological status monitoring
- Supply via FDnet/C-NET, auxiliary supply only required if the output is configured as monitored (FDCIO222 and FDCIO224)
- Easy mounting using snap fastener
- Microprocessor-controlled signal processing
- Different mounting options
- For dry areas
- Use additional housing FDCH221 for dusty and humid environments

### Eco-friendly

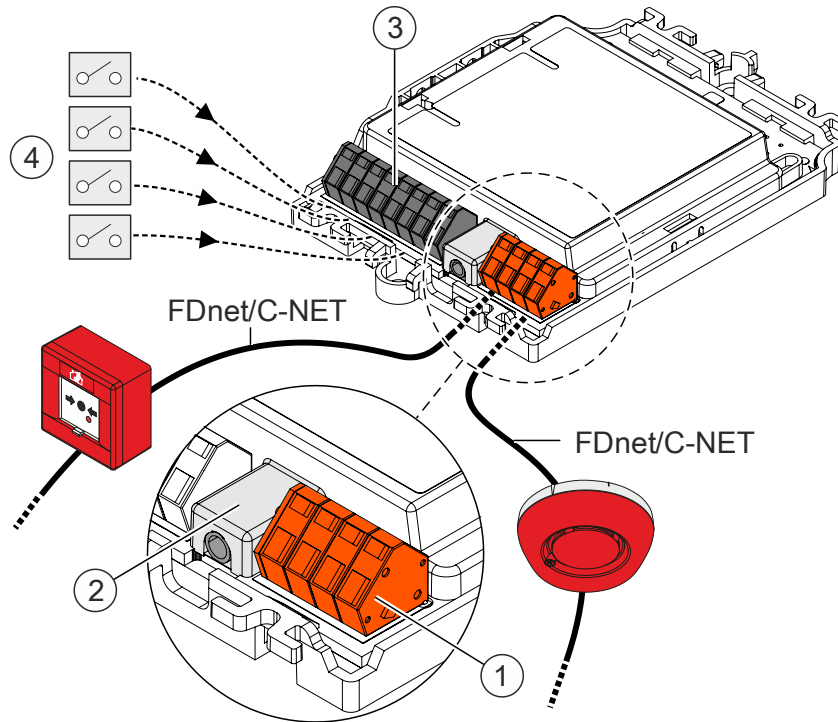
- Environmentally friendly processing
- Reusable materials
- Electronic parts and synthetic materials can be easily separated

**FDCI222 input module**

- Four inputs for potential-free detector contacts
- Monitoring the input lines for open line and short-circuit with terminating resistors
- Inputs can be configured independently for status or alarm messages using the fire control panel

Fields of application:

To activate four independent, potential-free, normally open or normally closed contacts in order to report technical statuses (e.g., door or fan control) or to activate an alarm (e.g., sprinkler alarm)



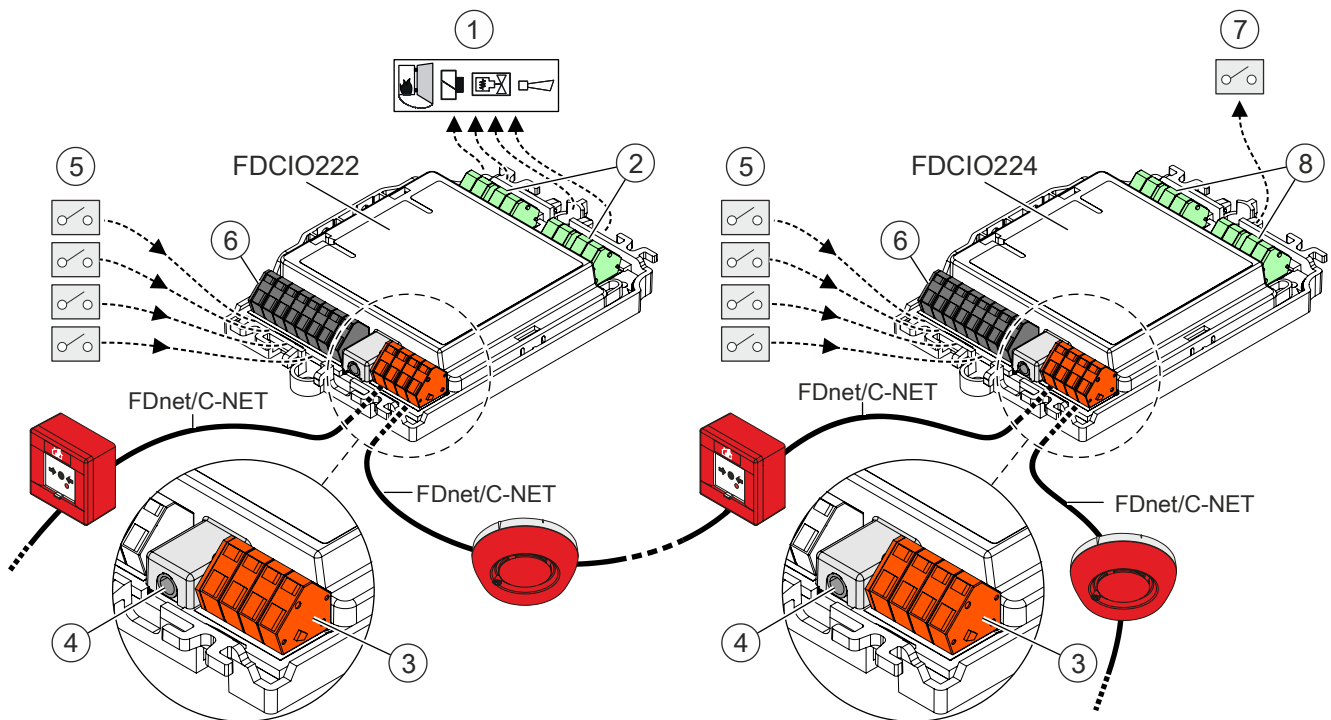
- |   |   |   |                                  |
|---|---|---|----------------------------------|
| 1 | Connections for FDnet/C-NET detector line | 3 | Four contact inputs              |
| 2 | 3.5 mm MC link jack socket                | 4 | Potential-free detector contacts |

## FDCIO222, FDCIO224 input/output modules

- Four inputs for potential-free detector contacts
- Monitoring the input lines for open line and short-circuit with terminating resistors
- Inputs can be configured independently for status or alarm messages using the fire control panel
- Four outputs with potential-free relay contacts (AC 230 V / 4 A) for fire controls (FDCIO222) and for the VdS interface in order to activate an extinguisher triggering device (FDCIO224)

Fields of application:

- FDCIO222: To activate four independent, potential-free, normally open or normally closed contacts in order to report technical statuses (e.g., door or fan control) or to activate an alarm (e.g., sprinkler alarm)
- For decentralized activation of fire doors, fans and air conditioning systems
- FDCIO224: For the VdS interface in order to activate an extinguisher triggering device



- |   |  |
|---|--|
| 1 Fire controls                             | 5 Potential-free detector contacts         |
| 2 Four relay outputs AC 230 V / 4 A         | 6 Four contact inputs                      |
| 3 Connections for FDnet/C-NET detector line | 7 VdS interface for extinguishing controls |
| 4 3.5 mm MC link jack socket                | 8 Four relay outputs AC 230 V / 4 A        |

## Type Overview

Type	Designation	Order no.	Weight [kg]
FDCI222	Input module incl. 8 resistors, 2 mounting feet	A5Q00001984	0.098
FDCIO222	Input/output module incl. 8 resistors, 2 mounting feet	A5Q00002369	0.127
FDCIO224	Input/output module incl. 8 resistors, 2 mounting feet, for VdS interface	A5Q00018689	0.127

### Accessories for input module FDCI222, input/output modules FDCIO222, FDCIO224

Type	Designation	Order no.	Weight [kg]
FDCH221	Housing with cover, seal, and screws	S54312-F3-A1	0.282
–	M20 x 1.5 metal cable gland	A5Q00004478	0.036
–	M20 metal counter nut	A5Q00004479	0.006
DBZ1190-AB	0.5...2.5 mm <sup>2</sup> (3-pin) connection terminal	BPZ:4942340001	0.001
TS35 (L = 122 mm)	U-rail TS35/7.5/122	BPZ:5644780001	0.041
TS35 (L = 288 mm)	U-rail TS35/7.5/288	BPZ:5644230001	0.098

### Replacement material for input module FDCI222, input/output modules FDCIO222, FDCIO224

Type	Designation	Order no.	Weight [kg]
FDCM291	Mounting foot	A5Q00003855	0.001

## Product documentation

Document ID	Name
008164	Equipment overview Sinteso™ Detector system FD20
008331	List of compatibility (for 'Sinteso™' product line)
A6V10229261	List of compatibility (for 'Cerberus™ PRO' product line)
007023	Technical manual Input module FDCI222, input/output module FDCIO222, FDCIO224
008176	Installation Input/output module FDCIO222, FDCIO224, Housing FDCH221

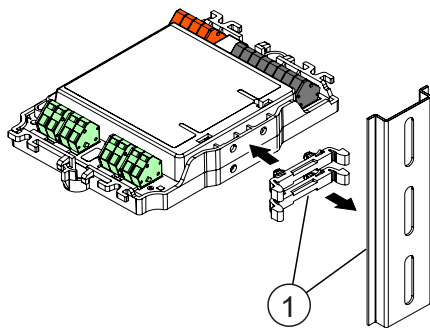
Related documents such as environmental declarations, CE declarations, etc., can be downloaded at the following Internet address:

<http://siemens.com/bt/download>

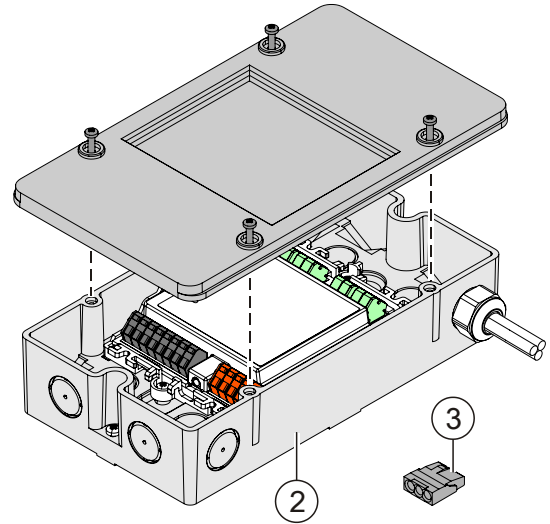
## Mounting

### Mounting options

- Mounting (series mounting) in a fire control panel on a U-rail TS35
- In housing FDCH221 (accessory) with cover, seal, and screws



- 1 Series mounting using mounting feet supplied, on U-rail TS35
- 2 Mounting in separate housing FDCH221 (accessory)



- 3 Use auxiliary terminals DBZ1190-AB (accessory) for shielded cables

## Disposal





The device is considered an electronic device for disposal in accordance with the European Guidelines and may not be disposed of as domestic garbage.


- Dispose of the device through channels provided for this purpose.
- Comply with all local and currently applicable laws and regulations.

## Technical data

	FDCI222	FDCIO222 / FDCIO224	
Operating voltage	DC 12...33 V		
Operating current (quiescent)	Max. 0.35 mA	Max. 0.75 mA	
Relay output	—	AC 250 V / 4 A, max. 1000 VA DC 30 V / 4 A, max. 120 W	
Operating temperature	-25...+60 °C		
Storage temperature	-30...+65 °C		
Air humidity (non-condensing)	≤95 % rel.		
Communication protocol	FDnet/C-NET		
Connections: <ul style="list-style-type: none"> <li>• Pluggable connection terminals</li> <li>• MC link</li> </ul>	0.2...1.5 mm <sup>2</sup> (with 2.5 mm <sup>2</sup> connection terminal DBZ1190-AB)  Plug connection 3.5 mm jack socket		
Color <ul style="list-style-type: none"> <li>• Housing</li> <li>• Cover</li> <li>• Housing FDCH221</li> </ul>	~RAL 9010, pure white Transparent matt ~RAL 9010, pure white		
Protection category (IEC 60529) <ul style="list-style-type: none"> <li>• When mounted on a U-rail in a fire control panel</li> <li>• With housing FDCH221</li> </ul>	IP30  IP65		
Standards	CEA GEI I-084		
<b>Approvals</b> <ul style="list-style-type: none"> <li>• VdS</li> <li>• LPCB</li> <li>• FM</li> <li>• DNV GL (Marine)</li> </ul>	G204028 531m/01 3029351  MEDB00003UU	<b>FDCIO222</b> G204029 531m/02 3029351  MEDB00003UU	<b>FDCIO224</b> G207001 — 3029351  MEDB00003UU
System compatibility <ul style="list-style-type: none"> <li>• FDnet</li> <li>• C-NET</li> </ul>	FS20, AlgoRex, SIGMASYS FS720		

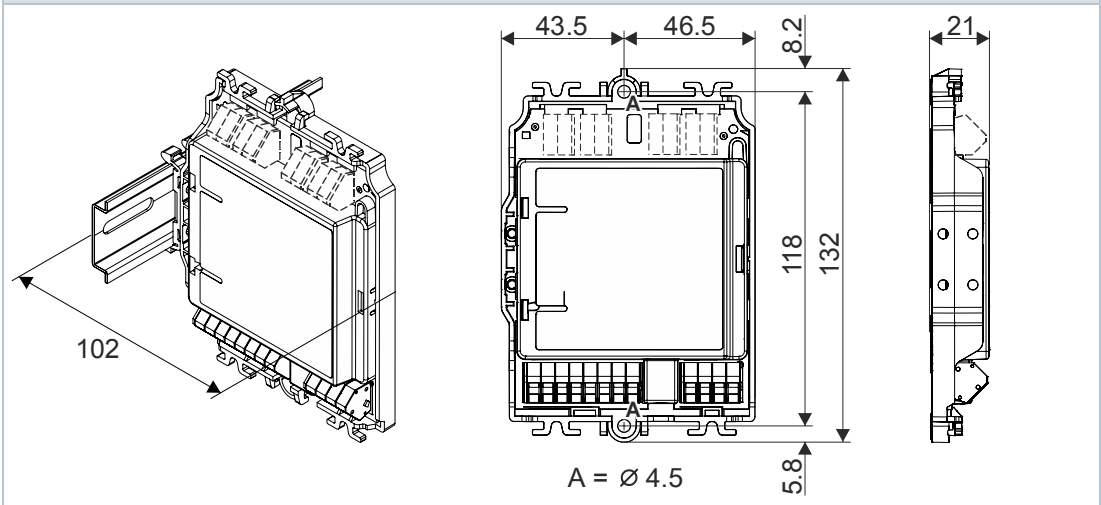
08  0786	<b>FDCI222</b>	Siemens Schweiz AG; Theilerstrasse 1a CH-6300 Zug Technical data: see doc. <b>007023</b>
FDCI222 - Input/output device incl. short-circuit isolator for use in fire detection and fire alarm systems installed in buildings.		
305/2011/EU (CPR): EN 54-18 / EN 54-17 ; 2014/30/EU (EMC): EN 50130-4 / EN 61000-6-3 ; 2011/65/EU (RoHS): EN 50581		
The declared performance and conformity can be seen in the Declaration of Performance (DoP) and the EU Declaration of Conformity (DoC), which is obtainable via the Customer Support Center: Tel. +49 89 9221-8000 or <a href="https://siemens.com/bt/download">https://siemens.com/bt/download</a>		
DoP No.: 0786-CPR-20446; DoC No.: CED-FDCI222		

08  0786	<b>FDCIO222</b>	Siemens Schweiz AG; Theilerstrasse 1a CH-6300 Zug Technical data: see doc. <b>007023</b>
FDCIO222 - Input/output device incl. short-circuit isolator for use in fire detection and fire alarm systems installed in buildings.		
305/2011/EU (CPR): EN 54-18 / EN 54-17 ; 2014/30/EU (EMC): EN 50130-4 / EN 61000-6-3 ; 2014/35/EU (LVD): EN 60950-1 ; 2011/65/EU (RoHS): EN 50581		
The declared performance and conformity can be seen in the Declaration of Performance (DoP) and the EU Declaration of Conformity (DoC), which is obtainable via the Customer Support Center: Tel. +49 89 9221-8000 or <a href="https://siemens.com/bt/download">https://siemens.com/bt/download</a>		
DoP No.: 0786-CPR-20447; DoC No.: CED-FDCIO222		

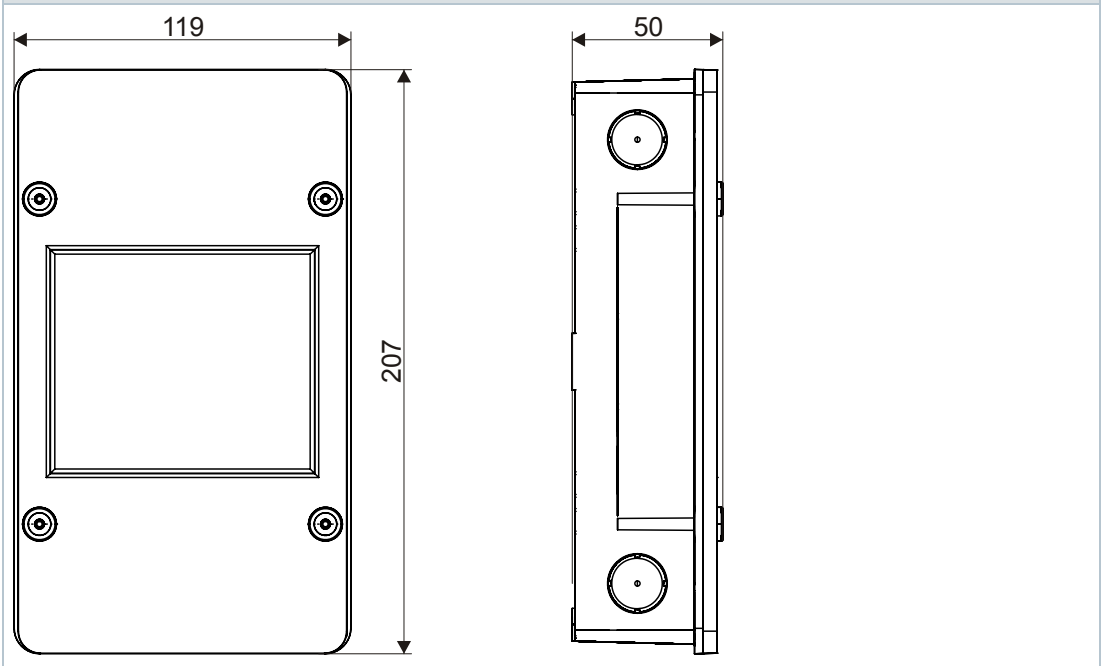
08  0786	<b>FDCIO224</b>	Siemens Schweiz AG; Theilerstrasse 1a CH-6300 Zug Technical data: see doc. <b>007023</b>
FDCIO224 - Input/output device incl. short-circuit isolator for use in fire detection and fire alarm systems installed in buildings.		
305/2011/EU (CPR): EN 54-18 / EN 54-17 ; 2014/30/EU (EMC): EN 50130-4 / EN 61000-6-3 ; 2014/35/EU (LVD): EN 60950-1 ; 2011/65/EU (RoHS): EN 50581		
The declared performance and conformity can be seen in the Declaration of Performance (DoP) and the EU Declaration of Conformity (DoC), which is obtainable via the Customer Support Center: Tel. +49 89 9221-8000 or <a href="https://siemens.com/bt/download">https://siemens.com/bt/download</a>		
DoP No.: 0786-CPR-20448; DoC No.: CED-FDCIO224		



**Input module FDCI222**  
**Input/output module FDCIO222, FDCIO224**



**Housing FDCH221**



Issued by  
Siemens Switzerland Ltd  
Building Technologies Division  
International Headquarters  
Theilerstrasse 1a  
CH-6300 Zug  
Tel. +41 58 724 2424  
[www.siemens.com/buildingtechnologies](http://www.siemens.com/buildingtechnologies)

© Siemens Switzerland Ltd, 2014  
Technical specifications and availability subject to change without notice.